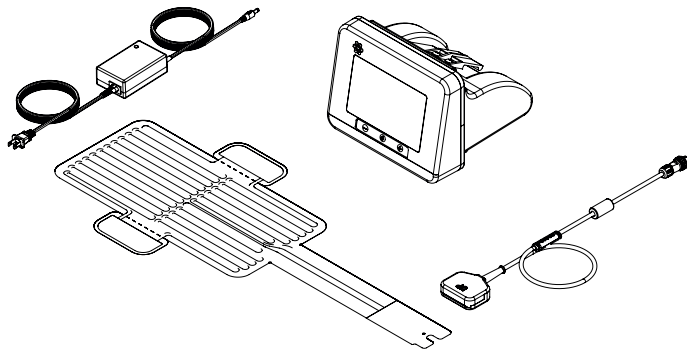


BP37™

BP37™ Infant Temperature Maintenance Kit

- Intended for use to maintain an infant's temperature during transportation.
- Stand-alone kit that does not require connection to mains electricity during use.
- Thermal Support Matrix (TS Matrix) is manufactured from non-woven fabric and adhesive that are biocompatible.
- TS Matrix adheres to the mattress using integrated low tack adhesive pads to prevent slippage during transportation of infant.
- TS Matrix is designed for single patient use preventing cross contamination.



The BP37™ Infant Temperature Maintenance Kit includes:

Battery Charger and Cables
Controller (containing re-chargeable batteries)
Thermal Support Matrix Clamp
10 x Thermal Support Matrix
Fixing Kit

BP37™ Infant Temperature Maintenance Kit is designed to provide the Thermal Support Matrix (TS Matrix) with a consistent and uniform surface temperature of 36–37°C.

Thermal support is provided immediately after activation.

When fully charged, the BP37™ Infant Temperature Maintenance Kit will provide thermal support for at least 4 hours.

The BP37™ Controller is connected to the Thermal Support Matrix using a specifically designed clamping system.

The BP37™ Kit is designed to start in stand by (SB) mode and when thermal support is required a simple press of the '+' button will activate the heating process.

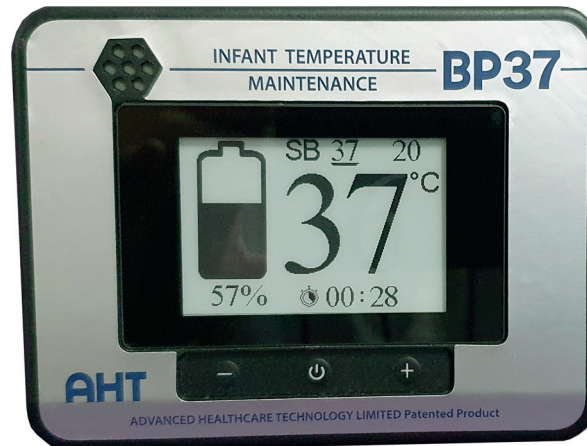
If thermal support is not required then pressing the '-' button will put the Controller in stand by (SB) mode and the heat will quickly dissipate and the surface of the TS Matrix will reach ambient temperature.

The BP37™ Controller display clearly shows actual surface temperature, ambient temperature, battery % and time since activation.

The BP37™ Controller is provided with a fixing kit to enable the Controller to be attached to AHT BabyPods.

The combined weight of BP37™ Controller (re-chargeable batteries are contained within Controller), Thermal Support Matrix and Thermal Support Matrix Clamp is less than 1kg.

After completion of transportation of the infant, the adhesive flanges of the Thermal Support Matrix are designed to tear when removed, breaking the printed circuit – ensuring single patient use.



For more information on our products, visit our website at: www.babypod.com
or E-mail us at: sales@babypod.com

BP37 is a patented product.

BP37 Info v6: 01/2025