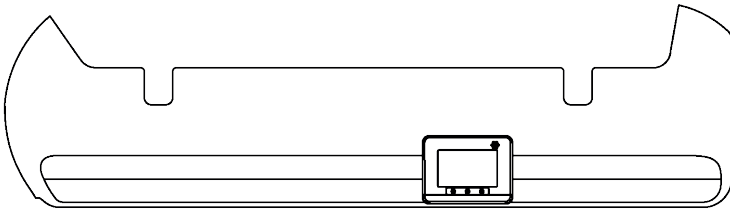


BP37™

Infant Temperature Maintenance Kit



Installation Instructions & Instructions for Use

with

AHT BabyPod Infant Transport Devices

Section 1 - Introduction

Instructions for use with AHT BabyPod Infant Transport Devices:

- BabyPod 2
- BabyPod 20

IMPORTANT:

THESE INSTRUCTIONS FOR USE, MUST BE READ IN CONJUNCTION WITH THE BP37™ INFANT TEMPERATURE MAINTENANCE KIT IFU AND BABYPOD 2 & BABYPOD 20 OPERATING AND MAINTENANCE MANUALS.

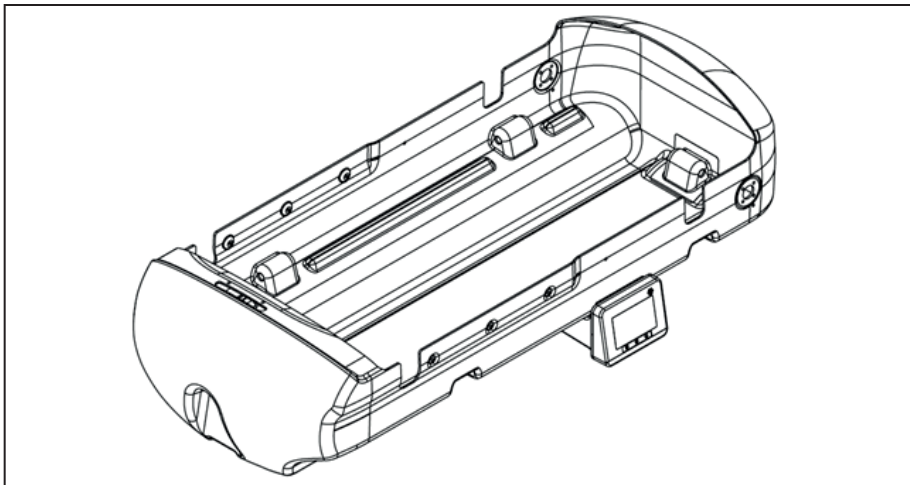


Figure 1 - BabyPod shell with BP37™ Controller attached

WARNING:

THE BP37™ INFANT TEMPERATURE MAINTENANCE KIT IS INTENDED AS A STANDALONE PRODUCT.

DO NOT USE THE BP37™ INFANT TEMPERATURE MAINTENANCE KIT, IN CONJUNCTION WITH ANY OTHER PRODUCTS THAT SUPPLY THERMAL SUPPORT/HEAT.



Section 2.1 - General Description

The Advanced Healthcare Technology BP37™ Infant Temperature Maintenance Kit is designed for use to provide a battery operated portable thermal support, that does not require connection to mains electricity.

By attaching the BP37™ Controller to a BabyPod, the BP37™ Infant Temperature Maintenance Kit can be used during transportation of an infant within a medical facility or between medical facilities without the need to connect to mains electricity.

During use of the BP37™ Infant Temperature Maintenance Kit, the infant's core temperature must be regularly monitored.

The Thermal Support Matrix is designed to be adhered via two low tack adhesive pads. When the Thermal Support Matrix is no longer required, the flanges where the adhesive pads are located are designed to tear along perforated sections which break the heater circuit ensuring the Thermal Support Matrix can only be used for single patient use. The adhesive pads can simply be peeled from the surface and discarded with the used Thermal Support Matrix. The non-woven fabric and adhesive used for the Thermal Support Matrix is biocompatible and is compatible for use on skin.

The BP37™ Infant Temperature Maintenance Kit Thermal Support Matrix is connected to a previously charged, low voltage Li-ion battery operated BP37™ Controller kit to provide a surface temperature of 37°C (99°F).

The Thermal Support Matrixes are designed and intended for single patient use.

Section 2.2 - Overview

Overview of how the **BP37™ Infant Temperature Maintenance Kit** is used as an accessory for AHT BabyPod Infant Transport Devices.

1. Charge up BP37™ Controller.
2. Connect Thermal Support Matrix Clamp to BP37™ Controller.
3. Connect BP37™ Controller to BabyPod.
4. Remove Thermal Support Matrix from pouch and position on vacuum mattress.
5. Attach Thermal Support Matrix to vacuum mattress by removing release paper from adhesive flanges and gently rubbing flanges down.
6. Connect BP37™ Controller to Thermal Support Matrix connector tail using Thermal Support Matrix Cable & Clamp.
7. Switch on Controller in Stand By Mode (SB).
8. Lay infant on top of mattress.
9. Activate vacuum mattress.
10. If thermal support is required switch BP37™ Controller to Mode 37.
11. If thermal support is not required switch BP37™ Controller to Stand By (SB).
12. When transportation of infant complete, unclamp Thermal Support Matrix.
13. Tear off Thermal Support Matrix from mattress and remove adhesive flanges and dispose.
14. Put BP37™ Controller on charge in readiness for next infant transportation activity.

WARNING

ONLY ADVANCED HEALTHCARE TECHNOLOGY LTD. APPROVED COMPONENTS MUST BE USED WITH THE INFANT TEMPERATURE MAINTENANCE KIT



Section 3.1 – How to retrofit a BP37™ Controller to AHT Infant Transport Devices

Equipment Needed:

Metal Clip

2 X screws and nuts

(Figure 2)

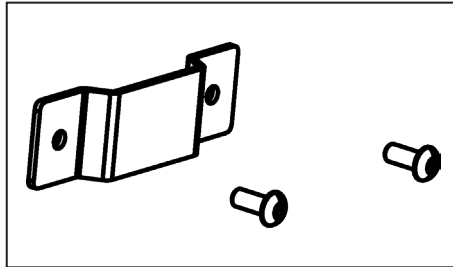


Figure 2 - Metal Clip and Screws

Template

(Figure 3)

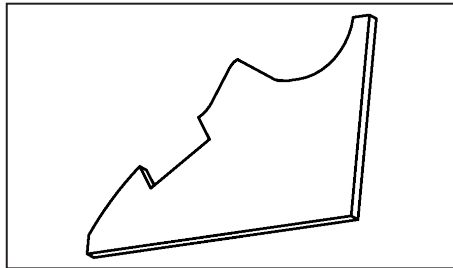


Figure 3 - Positioning Template

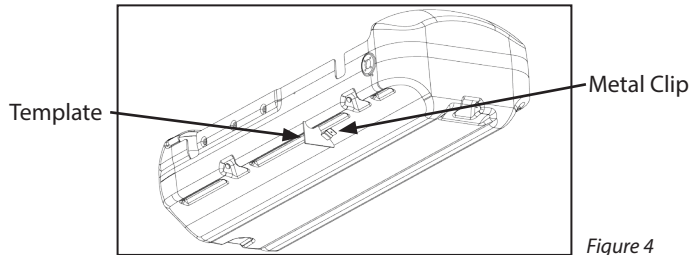
Powered Drill

4mm Drill Bit

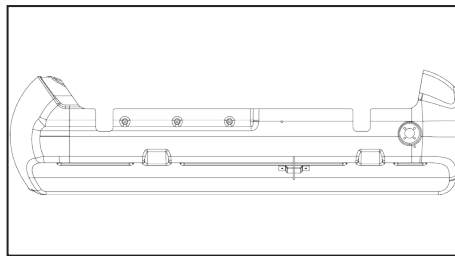
Screwdriver

Section 3.2 – Operations

1. Remove any components from inside the BabyPod shell.
2. The recommended position to mounting the BP37™ Controller ensuring this does not interfere with the correct functioning of the BabyPod straps and buckles, is between the middle and back portion of the BabyPod. (See figure 5)
Note: The profile of the BP37™ Controller has been designed to match the contours of the BabyPod shells.
3. Place Clip inside template and hold up to side of BabyPod shell (See figure 4).



4. Mark hole positions.
5. Drill holes with 4mm drill bit.
6. Clean up any drilling materials.
7. Attach Metal Clip to side of BabyPod using screws and nuts.



8. Check B37™ Controller can be connected securely to metal clip.

Section 4.1 - Attaching BP37 Controller to BabyPod

Attach Thermal Support Matrix Cable & Clamp to rear of BP37™ Controller (See figures 6-9).

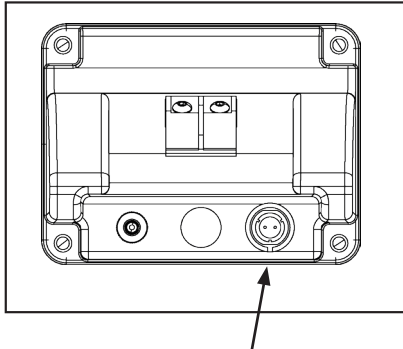


Figure 6 - Thermal Support Matrix Clamp Socket

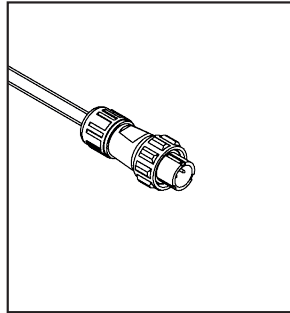


Figure 7 - Thermal Support Matrix Cable End

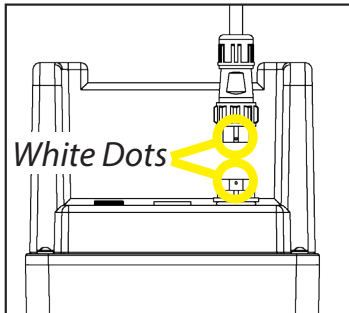


Figure 8 - Line up white dots

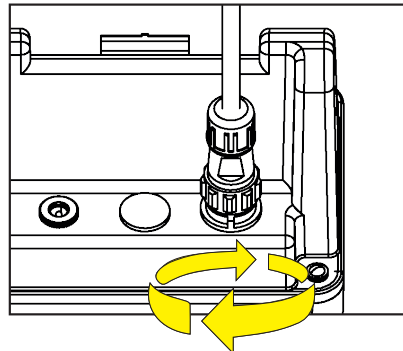


Figure 9 - Screw connector cable to socket

BP37™ Controller with Thermal Support Matrix Clamping Cable attached.

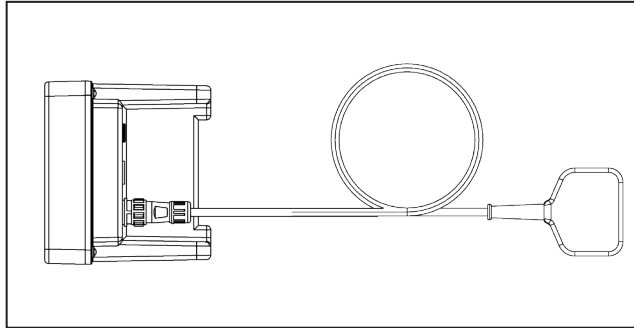


Figure 10 - BP37™ Controller with Thermal Support Matrix Clamping Cable (TSMC) connected.
(View from below)

Mount BP37™ Controller to BabyPod shell by locating mounting clip on BP37™ Controller and connecting with metal clip on side of BabyPod. (See figures 11 & 12)

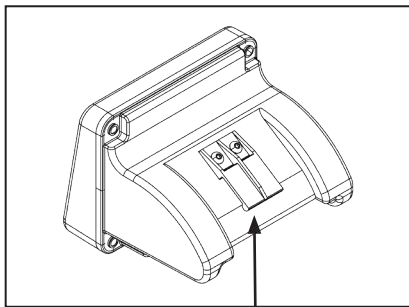


Figure 11 - Flexible mounting clip on controller

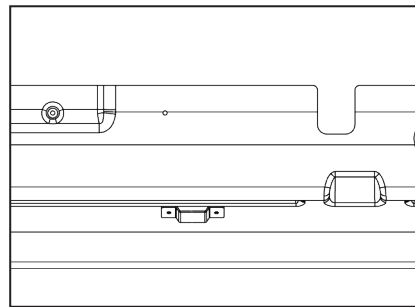


Figure 12 - Attached Clip on BabyPod

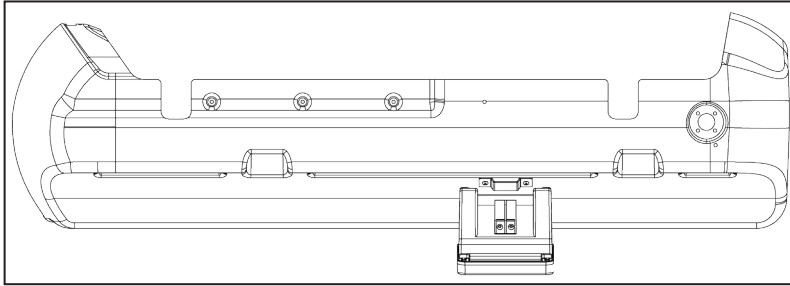


Figure 13

Locate Controller mounting clip and connect with metal clip.

Rotate Controller as indicated when mounting Controller. (Figures 14 & 15)

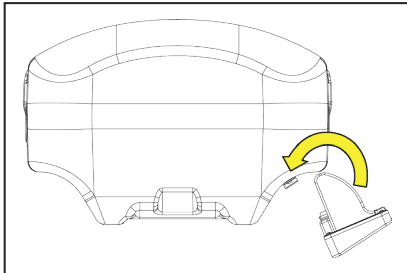


Figure 14

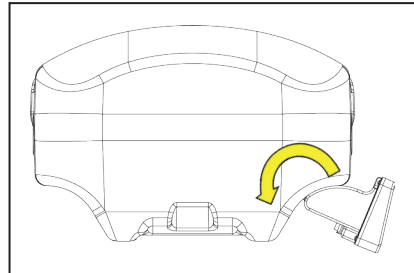


Figure 15

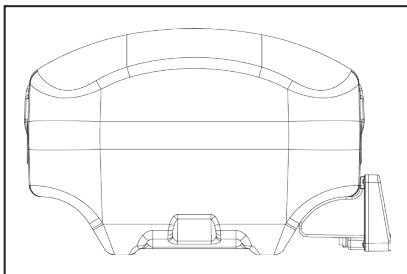


Figure 16

Ensure cable is not trapped between BP37™ Controller and BabyPod shell.



Check BP37™ is connected securely.

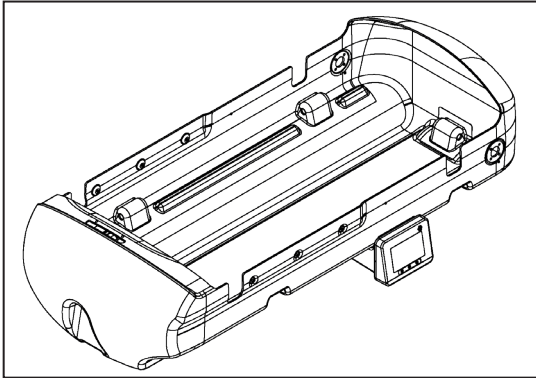


Figure 17

Section 5 - Removing BP37™ Controller from a BabyPod

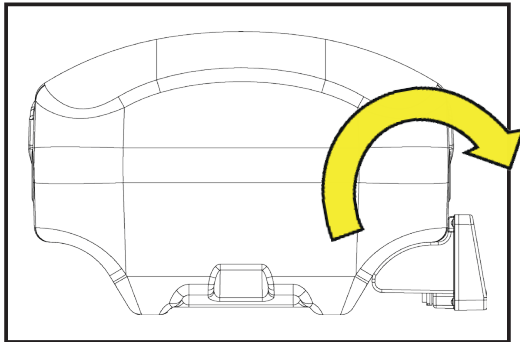


Figure 18

To remove the BP37™ Controller, you lift the BP37™ Controller in a circular motion and slide the BP37™ away from the BabyPod.

Using Thermal Support Matrix

Remove Thermal Support Matrix from pouch. If any sign of damage on Thermal Support Matrix, do not use.

Place Thermal Support Matrix on top of vacuum mattress.

Note: Take care that the perforated adhesive flanges are not damaged. If they are, there is risk that the circuit might be broken and Thermal Support Matrix will require replacement. (Figure 19)

Line up the adhesive flanges of the Thermal Support Matrix with the central flat flange areas of the vacuum mattress. (Figure 22)
Peel of release paper from adhesive flanges and adhere to vacuum mattress. (Figure 20)

Non-woven fabric must be upper most. Ensure connecting tail is not between Thermal Support Matrix and vacuum mattress.

Consolidate the bond of the adhesive to the mattress by gently rubbing non-woven fabric on flanges of Thermal Support Matrix. (Figure 21)

This adheres the Thermal Support Matrix to the vacuum mattress. (Figure 22)

Refer to the BP37™ Infant Temperature Maintenance Kit IFU and BabyPod 2 & BabyPod 20 Operating and Maintenance Manuals for further detailed instructions.

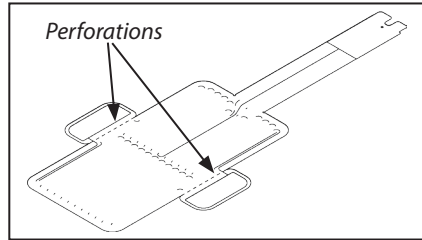


Figure 19 - Perforations

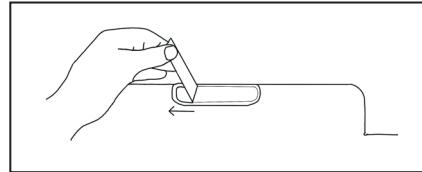


Figure 20- Removal of release paper from adhesive pads

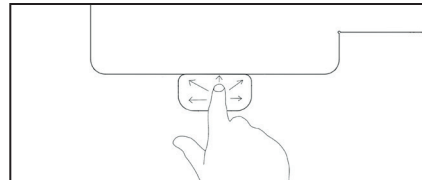


Figure 21 - Rub down adhesive flanges

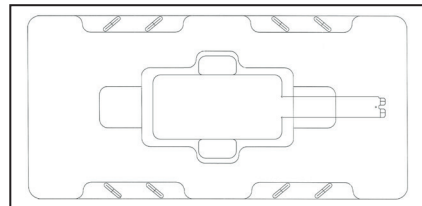


Figure 22 - Matrix secured to vacuum mattress



AHT-F-105 v1 06/24
BP37™ - BabyPod Addendum



Manufactured in France on behalf of
Advanced Healthcare Technology Ltd.
Unit 6, The Mead Business Centre,
Mead Lane, Hertford, Herts. SG13 7BJ,
United Kingdom
Tel: +44(0)1992 535933
sales@babypod.com
Web: www.babypod.com



Advanced Healthcare Technologies s.r.o.
Varšavská 715/36
120 00 Prague 2
Czech Republic